

For Residential and Commercial Applications

Job Name _____

Contractor _____

Job Location _____

Approval _____

Engineer _____

Contractor's P.O. No. _____

Approval _____

Representative _____

LOW WATER CUT-OFFS FOR HOT WATER BOILERS

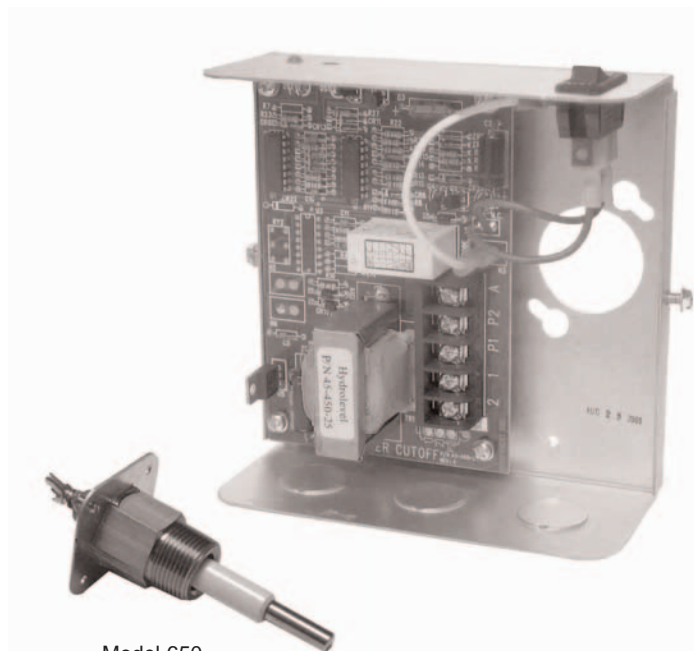
Features

- Reliable Electronic Operation
- Low Maintenance
- No Moving Parts in Boiler Water
- Easy to Install
- Inexpensive To Own and Operate
- 100% Factory Tested

Superior Performance by Design

WATTS low water cut-offs are electronically operated. A probe is installed in the boiler shell or external manifold, and connected to the control unit. Water is used as a conductor to complete the circuit between the probe and the boiler shell. When water is in contact with the probe, the circuit is completed; when the water level drops below the probe, the circuit opens. WATTS controls provide contacts to de-energize the burner circuit in low water condition.

MODEL	VOLTAGE	AUTO RESET	MANUAL RESET	TEST BUTTON
OEM 24	24V	●		
OEM 170	120V	●		
OEM 550	120V		●	●
OEM 650	120V	●		●
OEM 750	120V		●	



Model 650

Automatic Reset

Shuts down the burner when water drops below the probe. Automatically recompletes the burner circuit upon return of safe water level.

Manual Reset

Shuts down the burner in a low water condition. Requires manual reset if the water remains below the probe for 30 seconds. Power failures and air bubbles will not cause the manual reset to lock out. Models equipped with manual reset feature are also recommended for use as secondary low water cutoffs on steam boilers.

Test Button

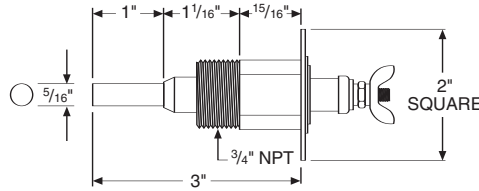
Tests control operation without lowering the water level. Depressing the test button de-energizes the burner circuit and lights the low water indicating lamp.

WATTS®


UL LISTED

PROBE DATA

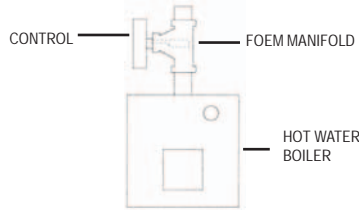
Test pressure 100 PSI



FITTINGS

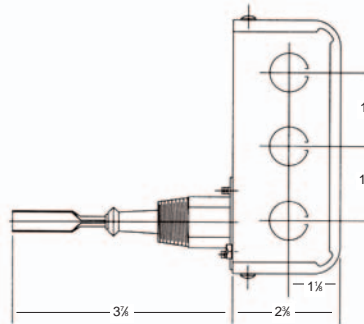
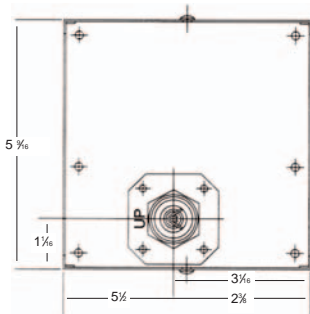
Model FOEM

Manifolds are available for all models.



MODEL	PSI	SIZE
FOEM-1	160	1 1/2" x 1 1/2" x 3/4" NPT
FOEM-2	160	1" x 1" x 3/4" NPT
FOEM-3	160	1 1/4" x 1 1/4" x 3/4" NPT

DIMENSIONS



SPECIFICATIONS

	120 Volt Models	24 Volt Models
Maximum Pressure	160 PSI	160 PSI
Input Voltage	120 VAC	24 VAC
Input Current		
170/24 Series	60 MA	330 MA
550/650/750 Series	30 MA	80 MA
Power Consumption		
170/24 Series	7 VA	8 VA
550/650/750 Series	4 VA	2 VA
Switch Rating	5.8 FLA, 34.8 LRA	50 VA Pilot Duty @ 24 VAC, 60 Hz
Switch Contacts	S.P.D.T	S.P.D.T.
Enclosure	NEMA 1 Gen. Purpose	NEMA 1 Gen. Purpose
Mounting	Vert. or Horiz.	Vert. or Horiz.



5435 North Service Rd.
 Burlington, ON
 L7L 5H7
 Phone: 905-332-4090
 Toll Free Phone: 1-888-208-8927
 Toll Free Fax: 1-888-479-2887
 www.wattscanada.ca



LIMITED WARRANTY:

WATTS Industries Canada Inc. warrants each product against defects in material and workmanship for a period of one year from the date of original shipment. In the event of such defects within the warranty period, the Company will, at its option, replace or recondition the product without charge. This shall constitute the exclusive remedy for breach of warranty, and the Company shall not be responsible for any incidental or consequential damages, including, without limitation, damages or other costs resulting from labor charges, delays, vandalism, negligence, fouling caused by foreign material, damage from adverse water conditions, chemicals, or any other circumstances over which the Company has no control. This warranty shall be invalidated by any abuse, misuse, misapplication or improper installation of the product. THE COMPANY MAKES NO OTHER WARRANTIES EXPRESS OR IMPLIED EXCEPT AS PROVIDED IN THIS LIMITED WARRANTY.