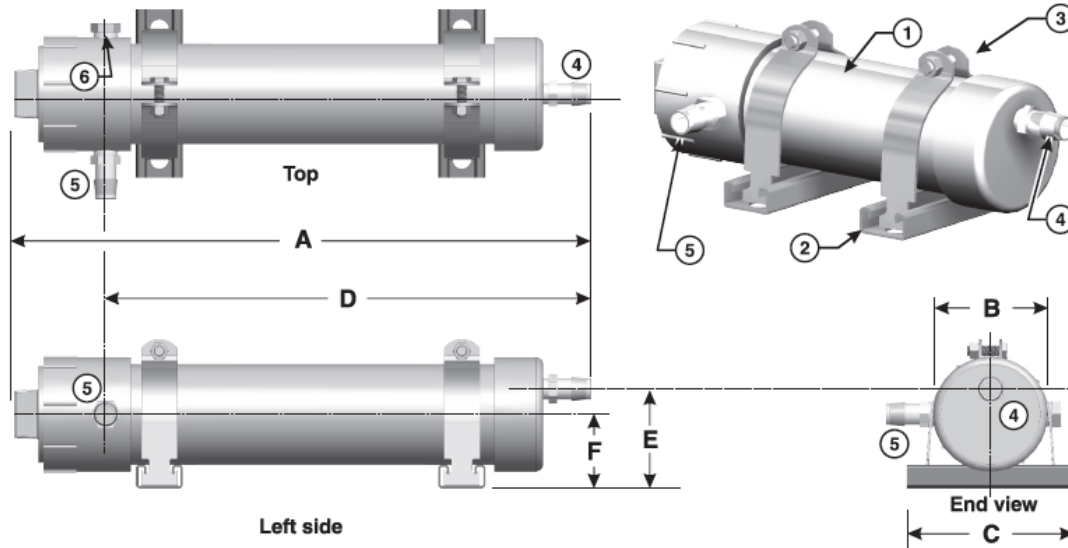




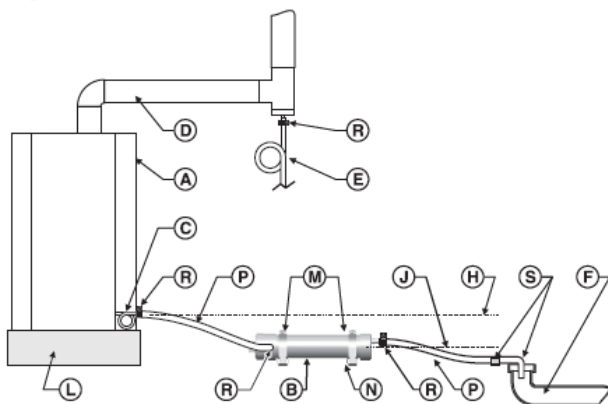
Installation **Figure 1** JM-series condensate neutralizing tubes – features and dimensions



RATINGS & DIMENSIONS (in inches)								
Model	MBH	GPH	A	B	C	D	E	F
JM-6	600	4.78	14.25	4	6	10.75	3.5	2.5
JM-10	1,000	8.00	19	4	6	16.125	3.5	2.5
JM-20	2,000	16.00	19.5	5	6	16.125	4.5	3.125
JM-30	3,000	24.00	24.5	5	6	21	4.5	3.125
JM-40	4,000	32.00	22.5	7.1875	10	19.25	7.5	4.5
JM-50	5,000	40.00	28.5	7.1875	10	24	7.5	4.5

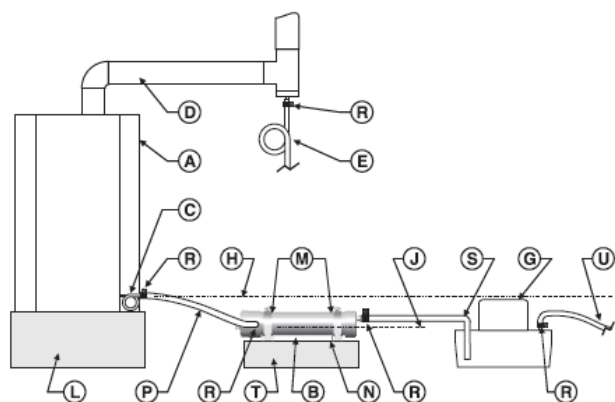
Item	Description	
1	PVC tubing filled with MgO Pellets	
2	Channel strut mounts	
3	Galvanized strut clamps, bolts and nuts	
4	Condensate outlet hose barb fitting	JM-6 to -10: 3/4" hose barb x 1/2" NPT JM-20 to -30: 3/4" hose barb x 3/4" NPT
5	Condensate inlet hose barb fitting	JM-40 to -50: 1" hose barb x 3/4" NPT
6	Plugged — alternate location for condensate inlet hose barb fitting	

Figure 2 JM-series tube with floor drain, typical



- A Condensing boiler, hot water heater or furnace
- B Condensate neutralizing tube (or multiple tubes piped in parallel)
- C Boiler/furnace condensate trap connection
- D Boiler/furnace vent
- E Vent condensate trap, when used — Install a trap as shown. Connect the tubing to a separate JM tube if appliances are common vented. For individually-vented appliances, the vent condensate drain can be connected to the appliance condensate drain line.
- F Drain
- H Hose
- J Joint
- L Boiler/furnace
- M Mounting clamps
- N Mounting clamps must be secured to the mounting surface
- P Plastic tubing or PVC pipe — When using PVC pipe, remove the JM inlet and outlet hose barb fittings and replace with threaded PVC fittings. Include unions in the piping to allow removal of the JM tube for inspection and service. — Secure pipe or tubing in place. — Protect with a shield if necessary if routed through traffic areas.
- R Use hose clamps at all connections when using plastic tubing.
- S Strut

Figure 3 JM-series tube with condensate pump, typical



- M Mounting clamps
- N Mounting clamps must be secured to the mounting surface
- P Plastic tubing or PVC pipe — When using PVC pipe, remove the JM inlet and outlet hose barb fittings and replace with threaded PVC fittings. Include unions in the piping to allow removal of the JM tube for inspection and service. — Secure pipe or tubing in place. — Protect with a shield if necessary if routed through traffic areas.
- R Use hose clamps at all connections when using plastic tubing.
- S Strut
- T Tube
- U Drain